

8150n printer manual



File Name: 8150n printer manual.pdf

Size: 2309 KB

Type: PDF, ePub, eBook

Category: Book

Uploaded: 16 May 2019, 13:28 PM

Rating: 4.6/5 from 761 votes.

Download Now!

Please check the box below to proceed.



I'm not a robot



reCAPTCHA
Privacy - Terms

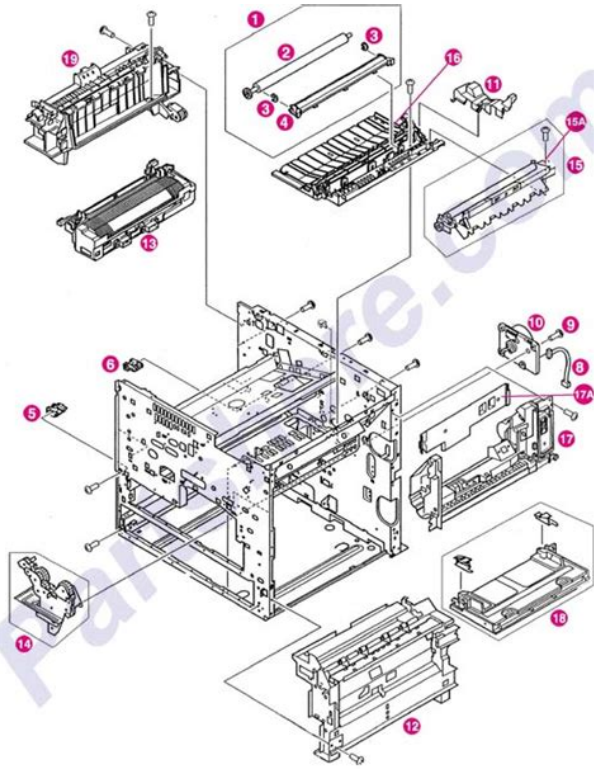
Book Descriptions:

8150n printer manual



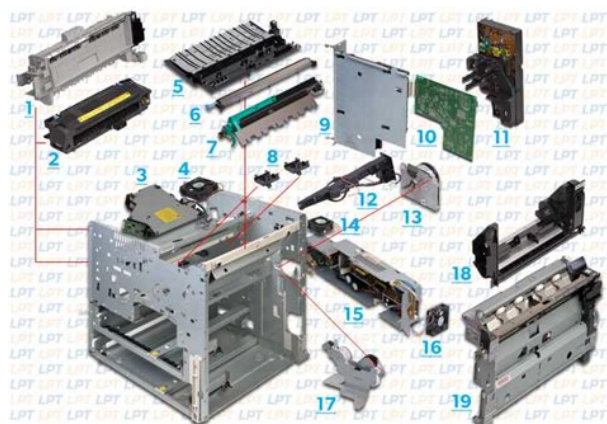
Each channel is configurable for LoZ or HiZ operation, as well as stereo and bridged modes. Advanced Class D technology maximizes efficiency to reduce power consumption and heat dissipation. An internal universal power supply with power factor correction ensures consistent performance with varying line voltages. Each channel is individually configurable via software for use with “HiZ” distributed speaker systems either 70V or 100V depending on model. Adjacent pairs of channels may be configured for stereo or bridged operation. Stereo mode enables remote control of a stereo pair of speakers using a single set of controls. Bridged mode allows two channels to be combined to provide a single channel delivering 300 watts into 8 ohms. Rear panel input attenuation controls allow for signal level matching. Remote level control and monitoring is enabled using the Crestron Avia Audio Tool software, or using a touch screen control panel or mobile device through integration with a Crestron control system. Integration with a control system also enables centralized monitoring and control of multiple amplifiers throughout a facility as part of a Crestron Fusion managed enterprise. Each channel is independently protected, allowing an individual channel to enter protection mode without interrupting the operation of other channels. Protection is automatic, quickly disconnecting the speaker line and shutting down the affected channel, and then restoring normal operation once the fault is resolved. Clear indication of any fault is provided on the front panel, and may also be reported to a control system to provide notification on a touch screen or mobile device, through a text message or email, or at a central help desk using Crestron Fusion. To find a dealer, please contact the Crestron sales representative for your area. Other trademarks, registered trademarks, and trade names may be used in this document to refer to either the entities claiming the marks and names or their products. <http://www.connect-senior.com/uploads/userfiles/emerson-19-tv-manual.xml>

- **8150n printer manual, 8150n printer manual download, 8150n printer manual pdf, 8150n printer manual free, 8150n printer manuals.**



Crestron disclaims any proprietary interest in the marks and names of others. Crestron is not responsible for errors in typography or photography. To find a dealer, please contact the Crestron sales representative for your area. Other trademarks, registered trademarks, and trade names may be used in this document to refer to either the entities claiming the marks and names or their products. Crestron disclaims any proprietary interest in the marks and names of others. Crestron is not responsible for errors in typography or photography. Certain trademarks, registered trademarks, and trade names may be used to refer to either the entities claiming the marks and names or their products. Crestron disclaims any proprietary interest in the marks and names of others. Crestron is not responsible for errors in typography or photography. Specifications are subject to change without notice. Please review our Privacy Policy and Website Terms of Use to learn more about our use of cookies. By continuing to browse our website without changing your browser settings, you agree to our use of cookies as explained in these policies. In compliance with current health recommendations, our team has temporarily reduced its hours of operation to help keep us safe and operational. Our response time may be delayed as we continue to assess and adapt to these events. Send an email to our authors. Nuestro proyecto de traducción sigue en curso, pero por el momento, esta página está disponible únicamente en inglés. La traducción está en curso, pero por el momento esta página está únicamente disponible en inglés. Die Übersetzung ist im Gange, aber im Moment ist diese Seite nur auf Englisch verfügbar. Something went wrong. Learn more opens in a new window or tab This amount is subject to change until you make payment. For additional information, see the Global Shipping Program terms and conditions opens in a new window or tab This amount is subject to change until you make payment. <http://dxbcconnect.com/attachment/emerson-1f80-programmable-thermostat-manual.xml>

variable latency. While this increased frequencies and throughput, the longer pipeline also increased latencies and increased branch misprediction penalties.



<https://labroclub.ru/blog/bose-link-al8-homewide-wireless-audio-link-manual>

However, due to K10s somewhat wider core in addition to the lack of refinements and optimizations in a first generation design the Bulldozer architecture typically performed with somewhat lower IPC compared to its K10 predecessors. It was not until the refinements made in Piledriver and Steamroller, that the IPC of the Bulldozer family distinctly began to exceed that of K10 processors such as Phenom II. Two DIMMs of DDR31866 on a single channel will be downclocked to 1600. In highly threaded benchmarks, the FX8150 performed on par with the Phenom II X6, and the Intel Core i7 2600K, depending on the benchmark. Given the overall more consistent performance of the Intel Core i5 2500K at a lower price, these results left many reviewers underwhelmed. Retrieved 20120923. Retrieved 21 August 2020. By using this site, you agree to the Terms of Use and Privacy Policy. Find second hand Citroen C3 cars now at Motors.co.uk and see for yourself. Read our expert Citroen C3 review to find out more. Alongside existing offers, the French manufacturer is giving an extra contribution of up to 300 on Citroen models. 06072020 Previewed last year by the Ami One concept that helped to celebrate. 28022020 It's a great little car that's typically French in style and attitude that certainly puts a lot of fun back into driving. Quirky, sprightly and friendly, it certainly holds its own against other popular brands. The C3 was released upon the world in 2002 and a few generations have followed. Right from the start the main focus of the Citroen was to provide an affordable, economical and practical approach to motoring, and it certainly didn't disappoint. While early models were rather tacky and flimsy in terms of the interior, modern variants put that right. Exterior design is one thing it has never been short of though, and the Citroen is very recognisable when out on the road.

<https://greenemiller.com/images/canon-eos-10d-manual-portugues.pdf>



There's always been a lot of room inside the C3, but you really do feel like the sky's the limit on newer versions thanks to some huge windows. There's a relatively big boot too, and 2 adults can squeeze into the rear seats and sit in comparative comfort. The ride quality is good too, and a sharp and sensitive level of handling means you feel in control. Add a decent amount of kit to the mix and really the C3 is rather loaded. You'll find that the C3 is incredibly economical thanks to a range of small but exciting petrol and diesel engines; you'll be a very infrequent visitor to the petrol station and spend less when you're there. It's ideal for families, professionals or young people alike who want a car but don't want high running costs. Finding a second hand Citroen C3 at Motors.co.uk is incredibly easy thanks to the huge range of used cars for sale. You'll get big money off as a result of the massive price discounts, and driving away on the day is all but a given. Enjoying Citroen's special brand of driving for less is what it's all about. The Citroen C3 is a great little car that proves that doing things differently isn't a bad thing at all. Its unique and Gallic approach to motoring is a breath of fresh air and you'll definitely love the fuel economy it gives. Overall it's a good alternative to Fords or Volkswagens. The permissions of Consumer Credit Compliance Limited as a Principal firm allow Motors.co.uk Limited to undertake credit broking and insurance broking. Lenders may pay us a fee for these introductions. For those who may be confused, check the list below. More information available at About UWNetIDs as well. If you're receiving an error after following the walkthrough, please check the "Why can't I log in" section below. For example, if your UW NetID was "godawgs", then your username should be netid/godawgs. If not, please request a new account.

Passwords are casesensitive.

<http://astucesvoyages.com/images/canon-eos-1000d-manual.pdf>



Please note that you may be a member of as many support organizations as you like— this is not an exclusive setting. It's automatically connected whenever you log on to a CSDE server or workstation, so it's always available in "My Computer" and when saving. Your H drive is inaccessible to anyone else, and it's also backed up to tape on a daily basis to guard against data loss. We recommend setting up a project folder in the R drive for any ongoing collaborative work with other CSDE users. For more information, see "How do I set up a project folder for group work or shared datasets" below. Think of it as a large, temporary, public storage location. The T area is a great way to share nonsensitive and nonessential data. To do this, simply create a new folder and copy your file into it. This is often easier than emailing a file. Just keep in mind that T is meant for temporary storage only, so it is not backed up and can be viewed by anybody with a CSDE account. All CSDE servers have a system drive, C, that holds the operating system and all program files. We regularly clear out each user's Downloads folder on the terminal servers, as well as files that take up space on the local drives. We do our best to set up the folder that same day but sometimes it may take longer or we may need to get more information from the requesting user. In addition, we'll configure it in such a way that only the members of your group have access to the folder. Any unauthorized files that are stored inside of the R drive may be deleted without advanced notice. Also, project folders must be requested with at least 2 members. We do not allow a project folder to be created for just a single user. Such changes led to much confusion in the past and restricted troubleshooting capacity. In the event that the requested user lacks a CSDE account, we will ask that they first apply for an account online. This is dealt with on a casebycase basis. Please notify us if you experience it.

This is managed by UWIT not CSDE, and have their own methods of snapshot backups. Therefore, anything you store on the file servers CSDEFS1 and CSDEFS2 is safe. UW UDrive is also backed up regularly by UWIT. Our file servers and UW UDrive servers provide storage services to our user home directories H and the Projects area R. We do a full backup of our file systems at the beginning of each quarter. After that, incremental backups are done nightly between 1100 pm and 700 am. Due to the nature of incremental backups, however, it can take up to 24 hours or longer to locate and restore a particular file. Any file that you downloaded and want to keep should be moved to your H drive or to folders in the R drive. The reason for this practice is described in "Why did CSDE

Computing change its policy regarding dropbox, onedrive and downloads” We understand that Dropbox synchronization is a convenient way to back up and restore files. However, since we have hundreds of users using our terminal servers, we simply do not have enough disk capacity to accommodate every user’s Dropbox files. For oneOff transfers of files we suggest using a Secure File Transfer program; tutorial here. This has the advantage of working the same way from off and on campus. For longer term access we suggest mapping the drive; tutorial here. This works very well off campus but will require additional software to work off campus. However, we will make every effort to obtain and install any software you need for your projects or research. If you have software requests, just ask us ! If you see a program in need of an update, please email us about it. If you have jobs running or files open, they will be closed. You’ll see a message stating, “This will disconnect your Windows session.” The terminal server window will close, but your programs will continue to run in the background on the server. Next time you log in, you’ll be instantly reconnected, and your files and programs will still be up.

<http://www.christinemartin.co.uk/wp-content/plugins/formcraft/file-upload/server/content/files/16274ccb2a146--brother-hl-5040-laser-printer-user-manual.pdf>

It’s a convenient way to start a longrunning job at school and check on it again later from home. Doing this will allow the system to allocate resources that you no longer need to other users and jobs. In addition to this, the H, R, and T drives may be disconnected if your remote desktop session has been idle for a while, and the only way to reconnect the drives is to log off from the terminal server. The usual way to get around this is to log out of the terminal server completely and then log back on. To log out, navigate to the Desktop, then doubleclick on the “logoff” icon. Notice that clicking the X button on the title bar of the remote desktop session will not log you off. However, all remote desktop sessions that were disconnected before our scheduled server reboot time will be logged off during the reboot. This means that you will not be able to reconnect to your previously disconnected remote desktop session the first time you log on after 530 AM on Fridays. When a terminal server crashes, all remote desktop connection sessions are terminated, and users will not be able to reconnect to them. CSDE will notify you via email of a terminal server crash. If you happen to be logged into a terminal server at the start of the maintenance window, you will see a message notifying you of a reboot pending in 10 minutes. For this reason, we strongly recommend that you save your work and log out of all CSDE Windows systems before 300 AM on Fridays and that you refrain from logging in again until 530 AM. However, those that do depend on the fact that the instance of the program has exclusive access to the user’s data files from only one machine, or server, at any given time. Opening another instance of the program on another server results not only in a new instance, but makes it seem as if it’s an entirely different program accessing the same set of files not allowed. Please use Task Manager to manage your program instances.

www.denizlihurda.com/image/files/colt-282-air-compressor-manual.pdf

At certain times, you may notice that the CSDE terminal servers slow down considerably. This is because of high resource utilization—for example, a couple of users running extremely CPUintensive jobs decrease the server’s responsiveness for everyone else. When system memory is consumed up to 95% and beyond, the system response time is very slow. In some severe cases, users might not be able to log on to the system. For this reason, we may need to terminate programs that use a significant amount of system memory without advance notice. Any user can download and install packages in said folder on our terminal servers and Sim Cluster nodes. However, if the package is installed on only one terminal server e.g, Ts2, you may need to log on to that server to use it. We advise users to check if the dependencies packages are present before the installation and choose not to install dependencies of the package. Drivers for many popular printer models are already installed on the server. If your printer is supported, it will appear in the Printers list a few moments after you connect to the terminal server. If your printer does not appear, contact us—we’ll install the

appropriate printer driver. Be sure to include your printer's manufacturer e.g., HewlettPackard and model number e.g., LaserJet 8150. Many multifunction printers such as those that also scan, fax, etc. will not work. If you are uncertain, click here to download the software, then run the msrdpcli.exe file to install it. If upgrading your Remote Desktop Connection software does not work, you may also want to try the fix explained in this Microsoft Support document. But be careful—making a mistake while editing your computers registry could render it inoperable. This can be avoided by disabling instant formatting on EndNote. Click on Tools on the menu bar. Select Cite While You Write CWYW, then select Format Bibliography.

This should disable automatic synchronization of previous bibliographic information and prohibit freezing while using both programs. If you are not sure how to edit the registry by yourself, feel free to ask CSDE for help. Download and install the Mac RDP client version 8.x from the Apple App store to connect. Alternatively, download and install CoRD to connect to our terminal servers. Below, please find additional recommendations for the best experience with your endpoint device In the event of a conflict between CISO's advice and what you find here, follow the CISO's page. UW CISO Securing laptops. Community members are invited to share either a specific memory or general recollections about the Halloween season here in town. Include the general time period of your recollection and any other pertinent details. The Historical Society is asking that people include their names and contact information in case there are questions. Admittedly, going virtual is not their first choice, but they are using a technology that allows them to stay in touch with students and friends. Plus, The Hammer Bar is back and it is serving at a Porch Party at the greenhouse harden in Farmers' Park. The effort will provide funding for scholarships for youth to participate in Y programs. For more information, call 8004468888. As you might suspect, the coronavirus changed all that, and now FRAN has been repurposed and is back in action as Food Run Around the Neighborhood. Participating restaurants will text you updates when your food is on its way and FRAN will deliver. A number of organizations are providing food pantries and can help. There are storytimes, cooking workshops, and more. Make your own Recycled Fashion. The application window will be open until 5 p.m. Aug. 22. Grants are intended to assist those businesses impacted by COVID 19.

Although we do not prescreen comments, we reserve the right at all times to remove any information or materials that are unlawful, threatening, abusive, libelous, defamatory, obscene, vulgar, pornographic, profane, indecent or otherwise objectionable to us, and to disclose any information necessary to satisfy the law, regulation, or government request. We might permanently block any user who abuses these conditions. If you see comments that you find offensive, please use the "Flag as Inappropriate" feature by hovering over the right side of the post, and pulling down on the arrow that appears. See COVID19 Service Updates and Resources Our Core Values explain why we take such pride in our work. They are the source of our passion, energy, professionalism, and productivity. These commonly shared values guide everything we do Usercenteredness, inclusivity, innovation, collaboration, education, community, discovery, stewardship. Would you like to reach the local Burkert USA website Do you know the difference between Dropkick and Kick and Drop KD. Well, lets hear it. Already registered Enjoy the advantages of logging in to your personal Burkert customer portal. New diagnostic functions and explosion protection approval for valve island Type 8652 In process automation, an ever increasing variety of data is collected and networked. To take account of this development, we have extended the functional scope of our valve island Type 8652. Discover more about the innovations. New coil design Proven valve quality As of July 2020, Burkert will be changing the design of the pushover coils. Needless to say, their operation and quality will be just as you have come to expect. Flowmeter Type 8098 FLOWave for potentially explosive atmospheres Our flowmeter FLOWave is now also available with ATEX approval. Learn more about your advantages. Burkert virtual exhibition 2020 We have created a realistic 3Drendered exhibition booth that lets you take a virtual tour of our latest products.

Experience this whole new world by visiting our booth. Valve island Type 8653 AirLINE Field with IOLink interface Are you looking for a valve island that can be installed directly next to the process and supports IOLink. Discover more about Type 8653. We're still open for business As the corona situation continues to evolve, the health and safety of everyone involved including colleagues, families, customers and partners remain our highest priority. This situation is something that we all can have an impact upon by following restrictions, looking after our families and caring for the vulnerable. Our heartfelt thanks goes to all those who work hard every day to take care of people who need help and to those who ensure the supply of our society. Products Want to buy online. Your Fluidic Challenge Show Details You need a customised solution at the highest creative level. Customised Solutions Show Details Want to find out more about products employed in our customers' specific applications. Our latest job opportunities Show Details Want to stay up to date. Latest press releases Show Details Well, lets hear it! In addition to explosion protection approval, Type 8652 now also offers new diagnostic functions that ensure more process reliability. Enjoy the advantages of logging in to your personal Burkert customer portal. KG ChristianBurkertStrae 13 17 74653 Ingelfingen.

<http://eco-region31.ru/bose-link-al8-homewide-wireless-audio-link-manual>